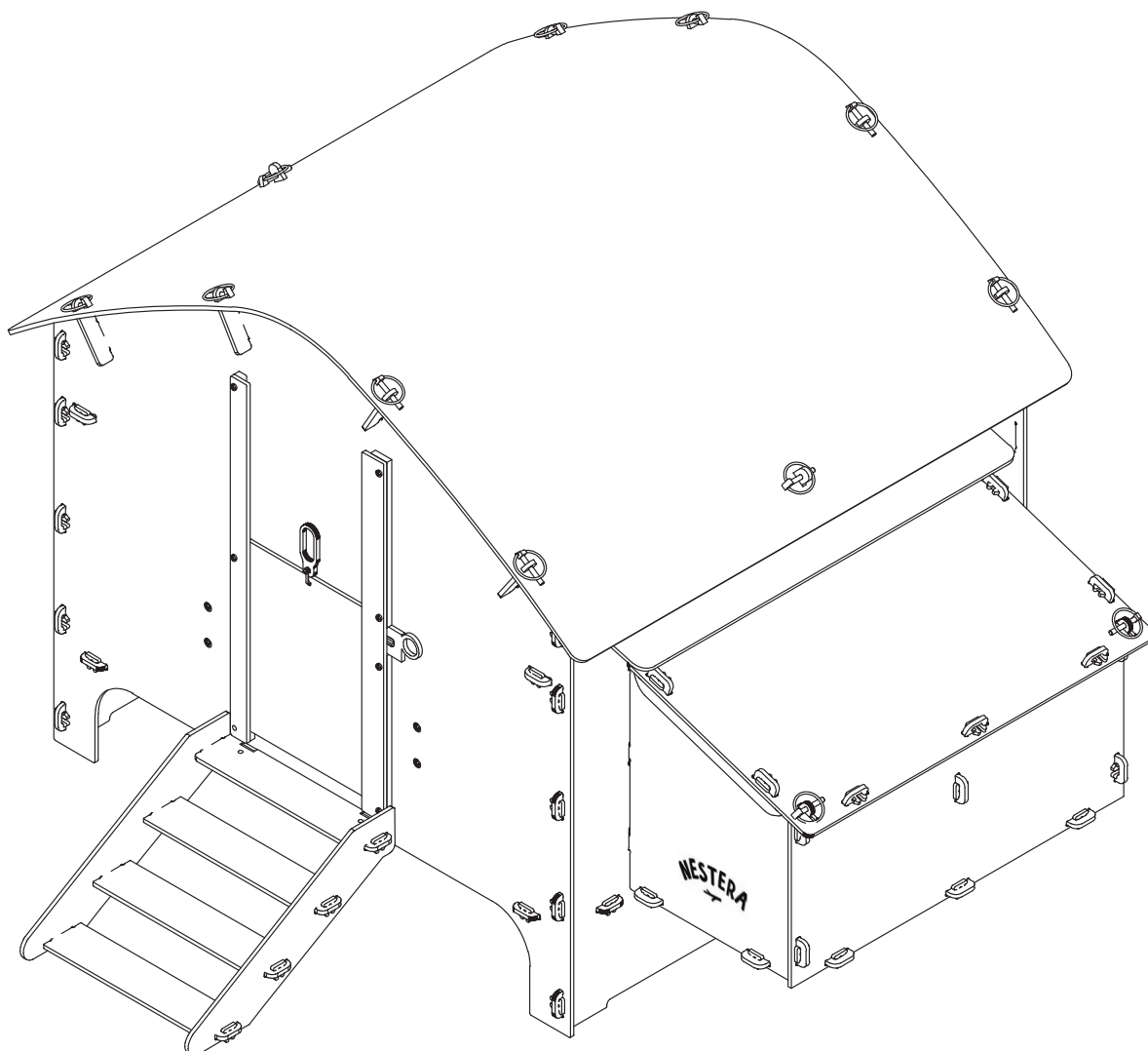


# NESTERA

**ATLAS**  
**Large Model**  
PRL04-8



**⚠ WARNING! For your safety and to comply with guidelines, please follow these instructions carefully.** Failure to do so may result in injury.

**PRODUCT PARTS**

See pages 5-6.

Part numbers	Description	Quantity
1	Roof	1
2	Front Panel	1
3	Vent Side Wall	1
4	Nest Box Side Wall	1
5	Base	1
6	Back Panel	1
7	Back Door	1
8	Twist Locks	2
9	Locking Handle	1
10	Wall Braces	2
11	Top Step	1
12	Ramp Brace-Left	1
13	Ramp Brace-Right	1
14	Ramp Step	3
15	Door	1
16	Upper Left Door Retainer	1
17	Rain Guard (Back)	1
18	Left Front Door Trim	1
19	Right Door Retainer	1
20	Right Front Door Trim	1
21	Lower Left Door Retainer	1
22	Side Roof Retainers	2
23	End Roof Retainers-A	4
24	End Roof Retainers-B	4
25	Front Door Handle	1
26	Back Door Handles	2
27	Vent Covers	2
28	Nest Box Roof	1
29	Nest Box Side Wall-Left	1
30	Nest Box Side Wall-Right	1
31	Nest Box Divider	1
32	Nest Box Roof Front Trim	1
33	Nest Box Roof Side Trim	2
34	Rain Guard (Nest Box)	1

35	Nest Box Front	1
36	Nest Box Base	1
37	Perches	2
40	Perch Holders	4
42	Rain Guard Twist Lock	4

**FIXINGS**

See page 6.

F1	Lynch Pin	19
F2	Pi Clip	82
F4	Clevis Pin 25mm	2
F5	R Clip (Clevis)	2
F6	M6 20mm Screws	1
F7	M6 30mm Screws	11
F9	M6 Small Washer	24
F11	M6 Nylock Nuts	20
F14	M6 16mm Countersunk Screws	8
F22	Cable Ties	1

**RECYCLED AND RECYCLABLE**

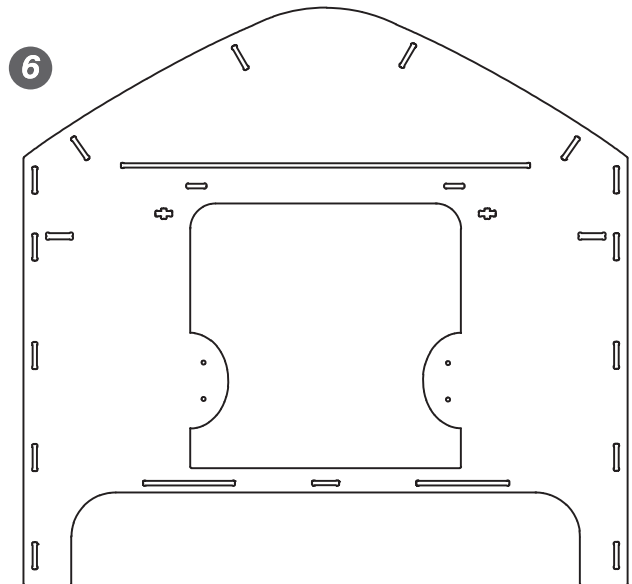
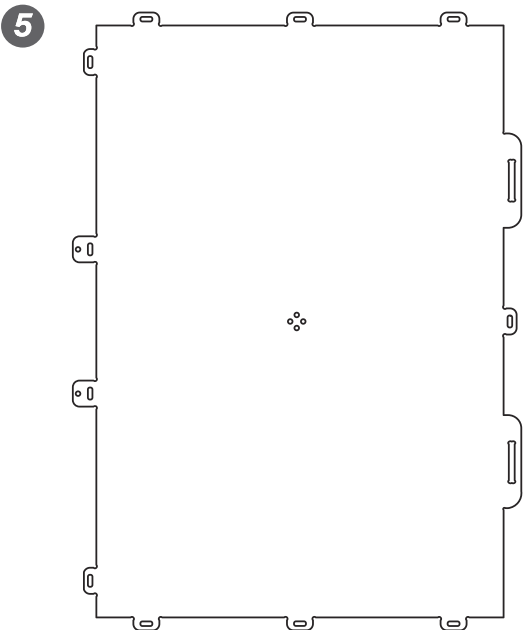
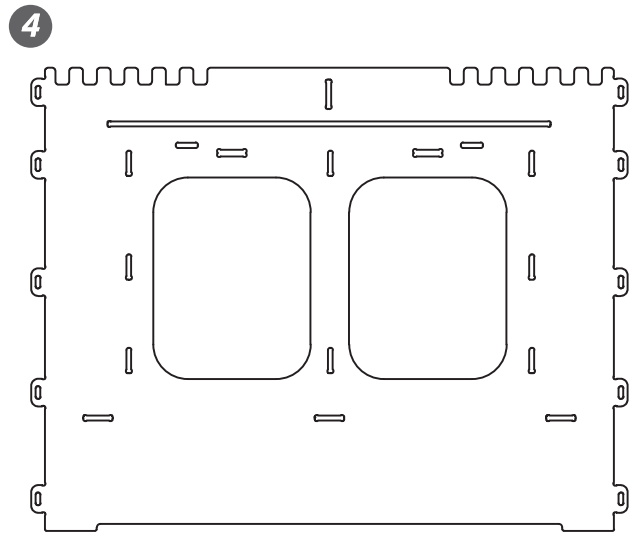
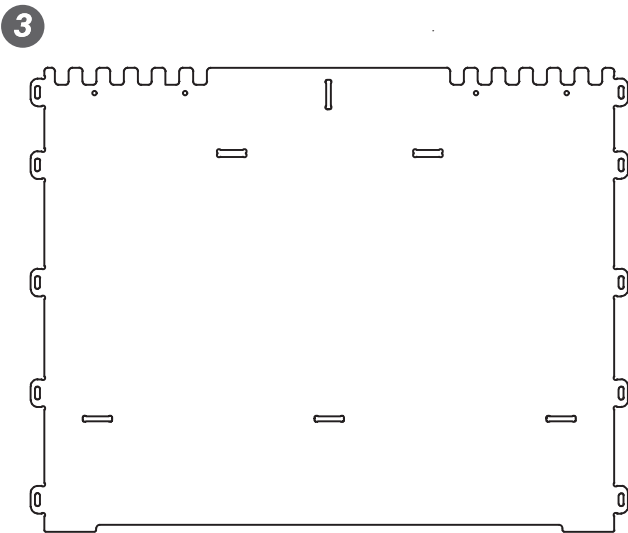
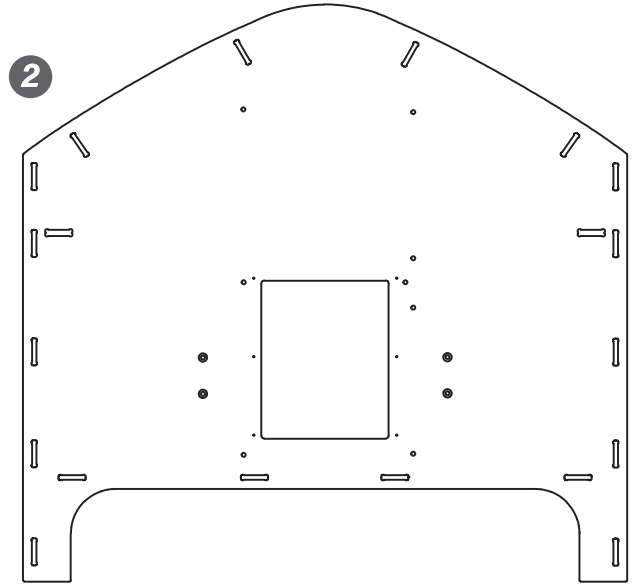
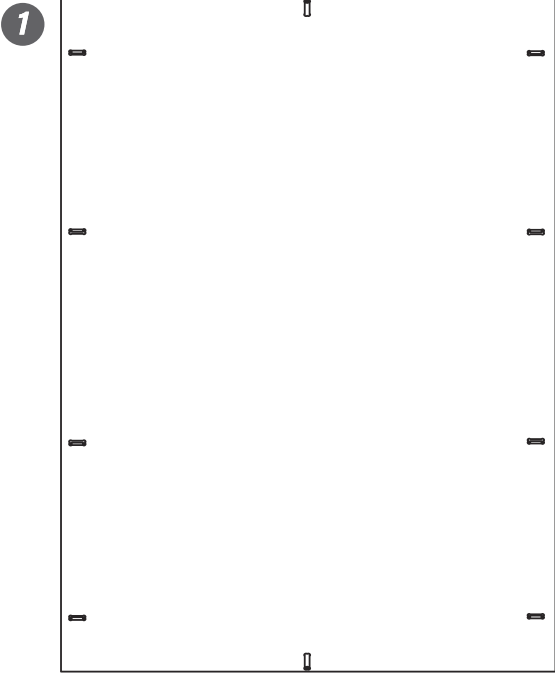
We use recycled materials whenever possible. Our plastic products are made from recycled industrial waste, and we recycle all our plastic waste. Choosing our products over those made from virgin plastic helps reduce new plastic production.

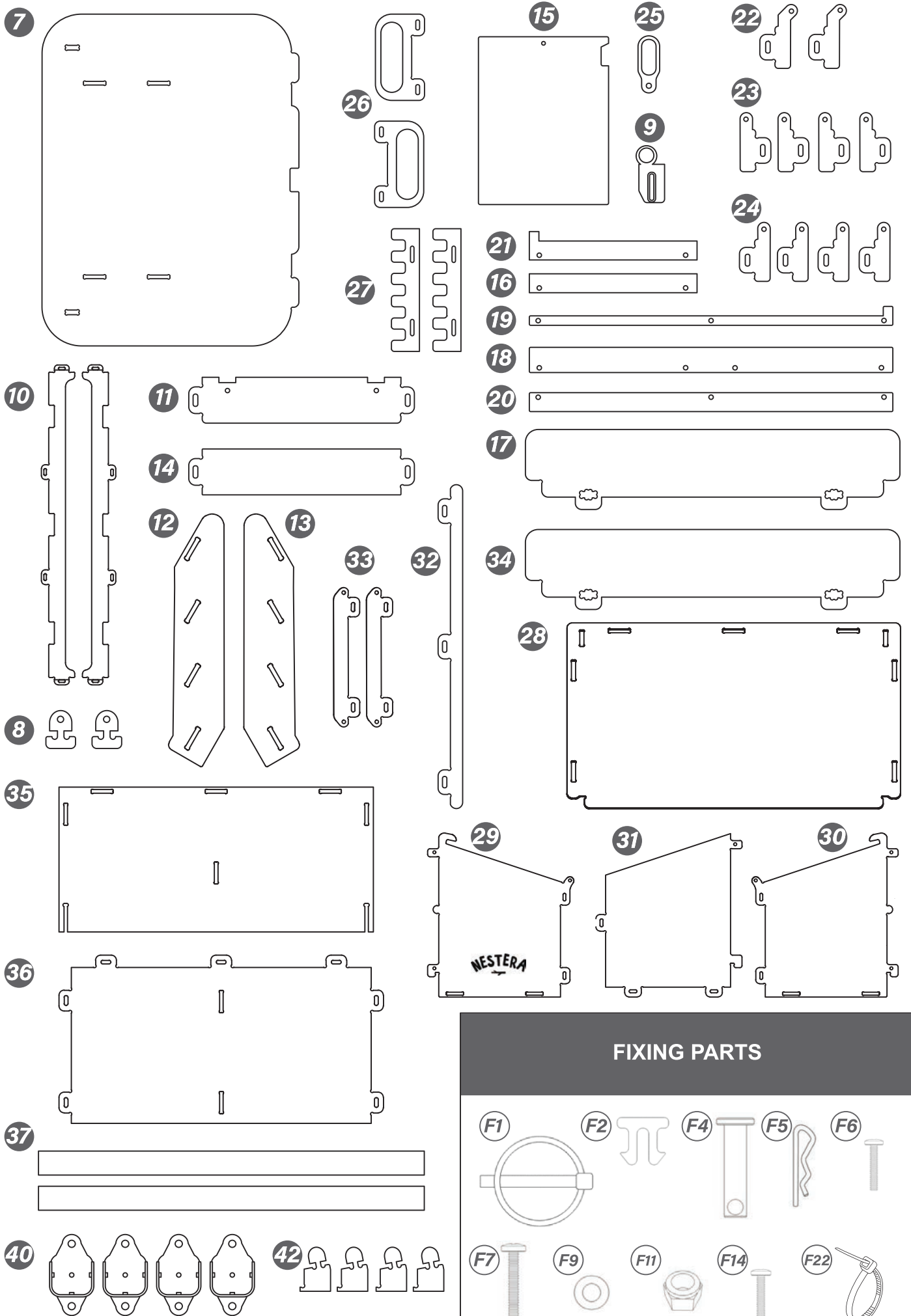
Our recycled plastic is durable, easy to work with, and requires no preservative treatment. It resists UV light, atmospheric pollutants, and extreme weather, maintaining its appearance and functionality longer than timber.

The plastic sheets have a consistent thickness, ideal for our precise manufacturing process. We use rust-resistant metal components that are also recyclable.

Our packaging and literature are made from recycled materials, including assembly instructions on recycled paper and business cards from 80% recycled card.

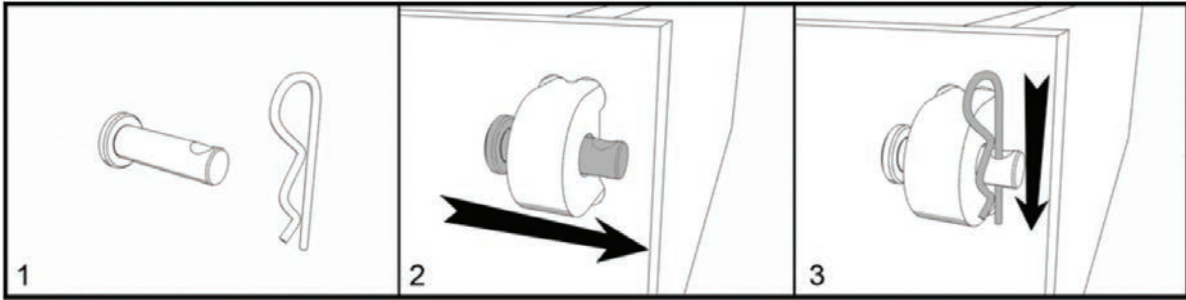
In summary: Fun, functional products that are eco-friendly!



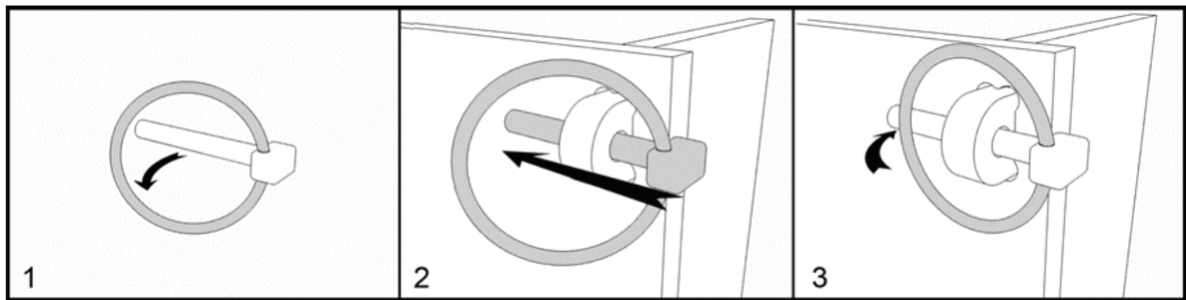


# FIXINGS

## HOW TO USE A CLEVIS PIN



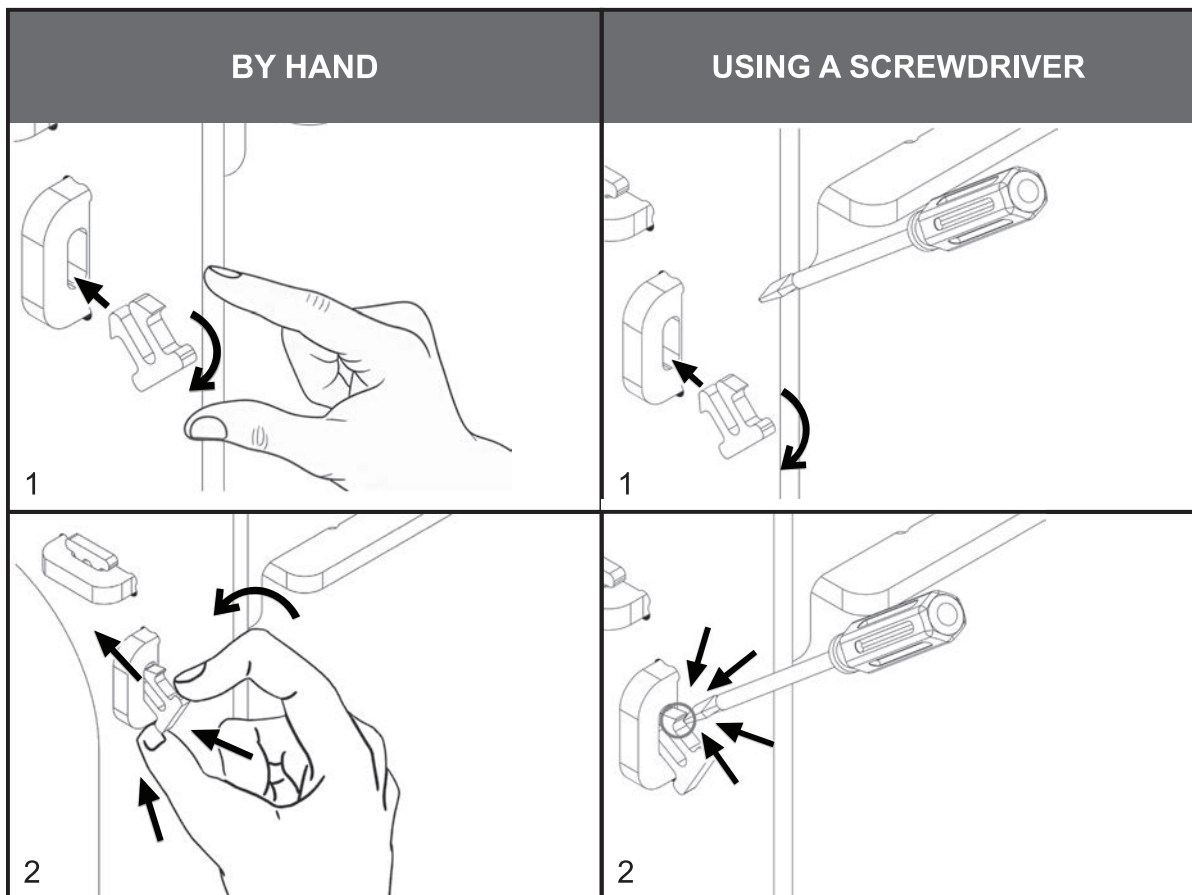
## HOW TO FIT A LINCHPIN

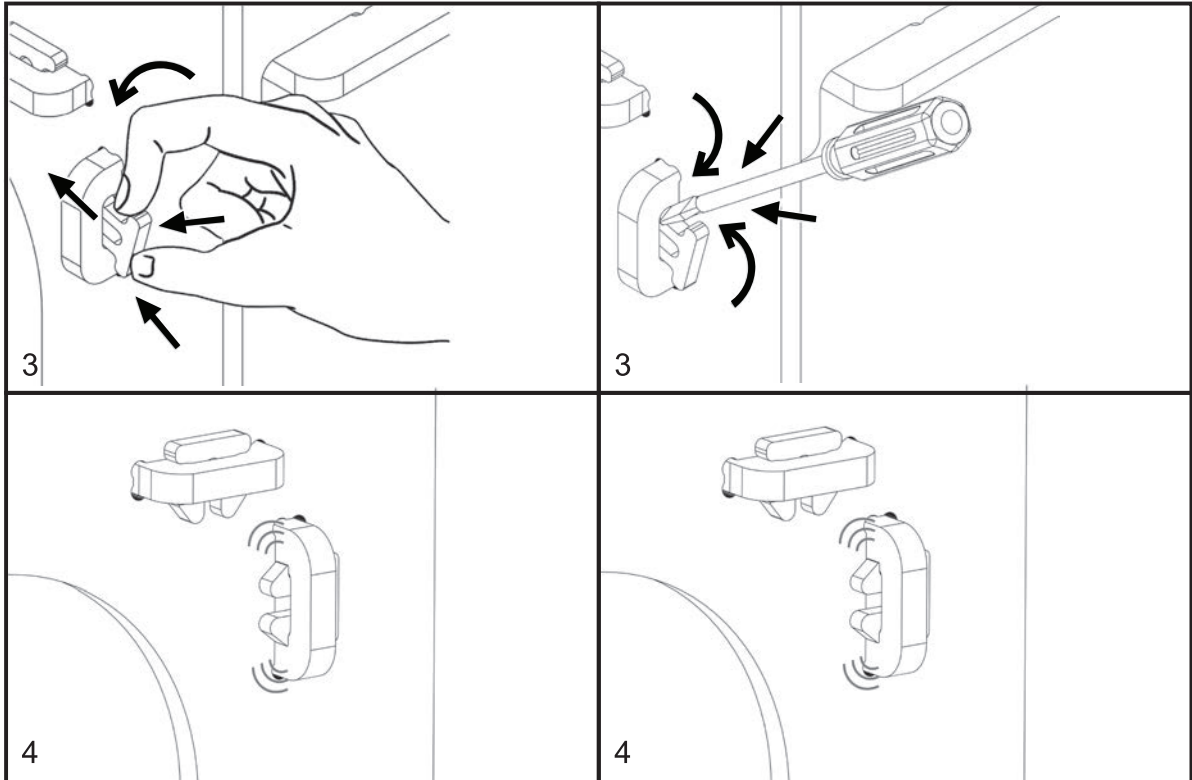


**⚠ WARNING!** Simply elevate the ring slightly from the bar. Linchpins are engineered to automatically spring back into the locked position, so exercise caution to avoid injury to your fingers.

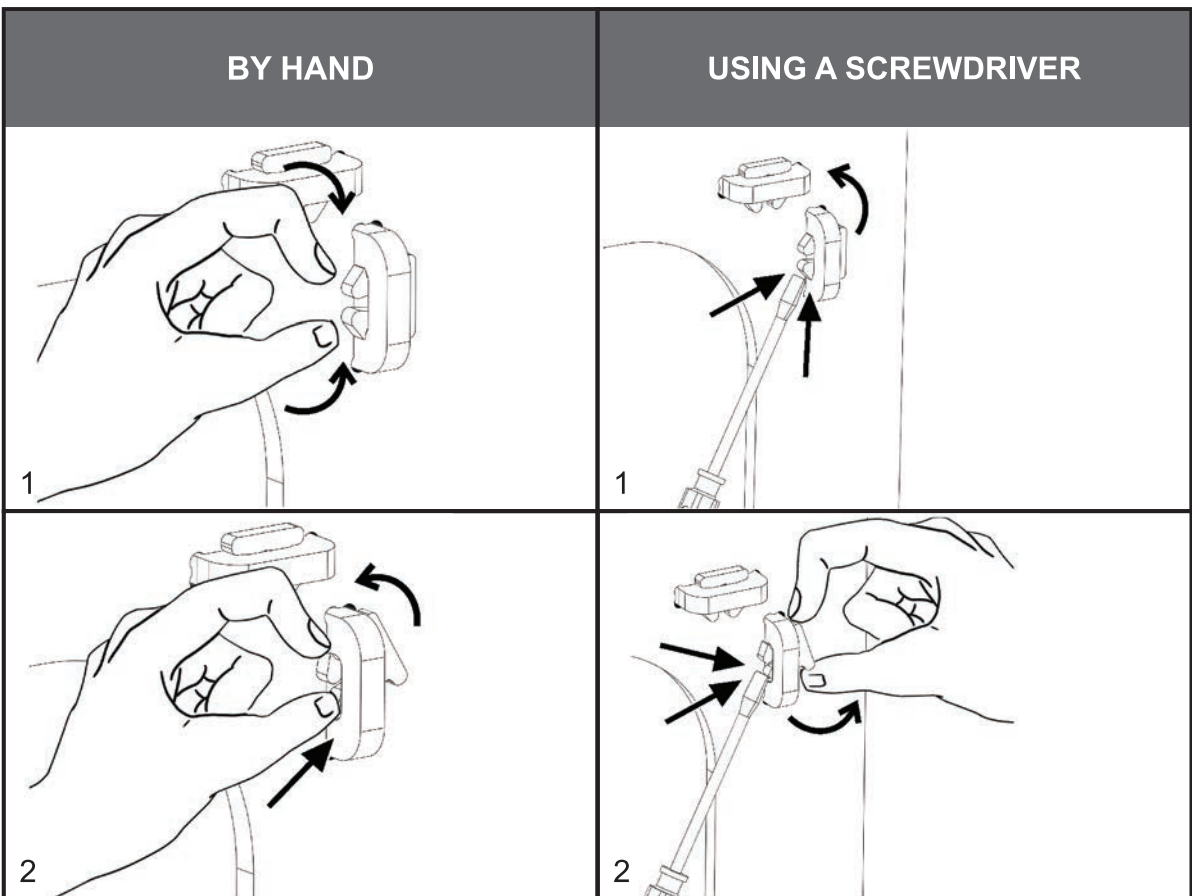
## PI CLIPS — OUR UNIQUE WAY TO ATTACH YOUR COOP PANELS

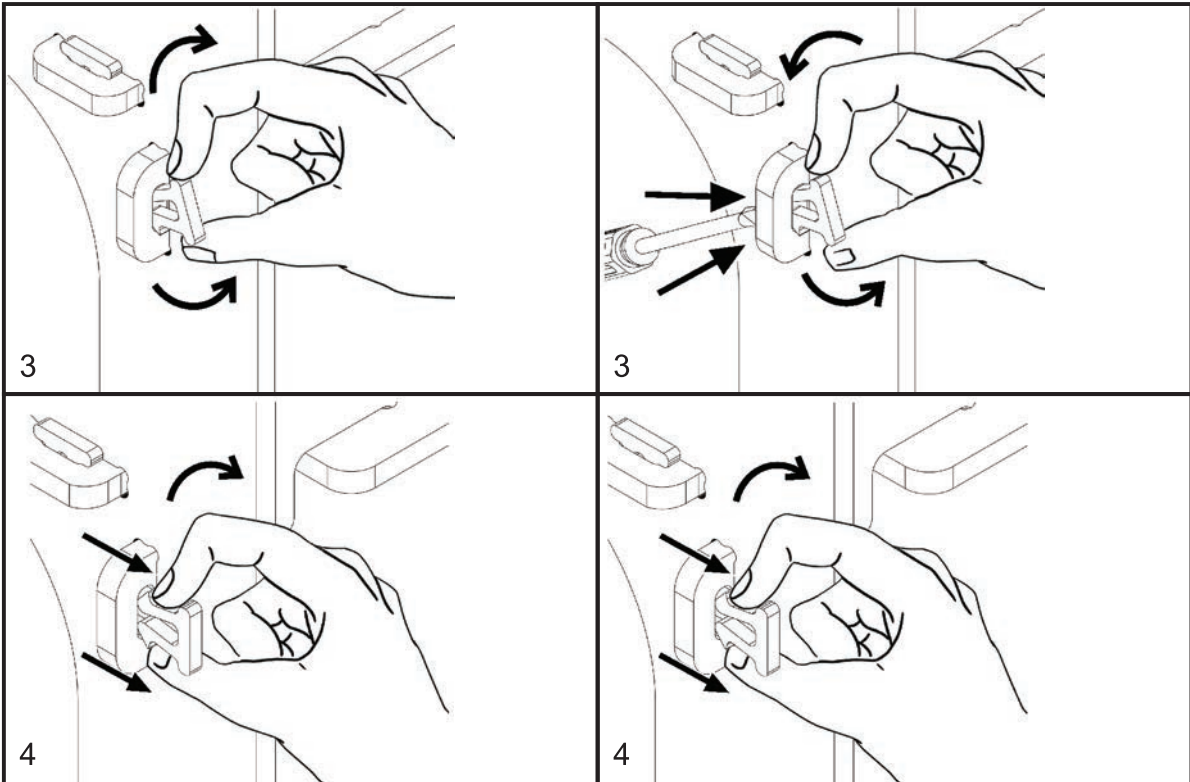
In order to provide a secure fixing, the Pi Clips are designed to be a tight fit. The prongs can be pressed together through the rotational pressure as the clip is rotated through the hole, or you can use a screwdriver to compress the prongs together.





PI CLIPS — OUR UNIQUE WAY TO DETACH YOUR COOP PANELS





## ABOUT OUR PLASTIC

**Congratulations on joining the growing number of people choosing a plastic coop. Plastic has so many advantages over wood for housing chickens!** The main ones being that they require no maintenance and are exceptionally easy to clean.

### **NO MAINTENANCE**

They will never rot, need sanding, staining, treating, etc. Winter after winter, they will look as good as new with a simple wash with a sponge and hot soapy water.

### **EASY CLEAN**

Wipe clean and easy dry smooth plastic interior.

### **SCRATCH/SCUFF MARKS**

One downside, however, of the smooth plastic interior, is that whilst being very easy to clean, the lack of a texture means that it will show scratches and scuff marks very easily. Although this is, of course, still much smoother than a wooden interior, scratches on plastic are much more visible than on wood due to the rest of the surface being so smooth.

Whilst we take great care during our production process, the hand finishing of our parts, and movement during transportation, can result in some scratch or scuff marks on the underside of our plastic parts. These are, of course, not visible when the coop is assembled, and they do not affect the performance of the plastic in any way.

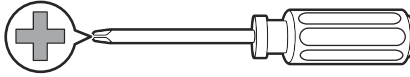
### **FLEXIBILITY OF THE PLASTIC**

Plastic has a considerable advantage over wood in that it will not rot, but please note it is a more flexible material than wood. The HDPE is designed to bend, so that it does not break, and you will notice that the plastic is more flexible in high temperatures. Rest assured that the coop, once built, is easily sturdy enough for your flock

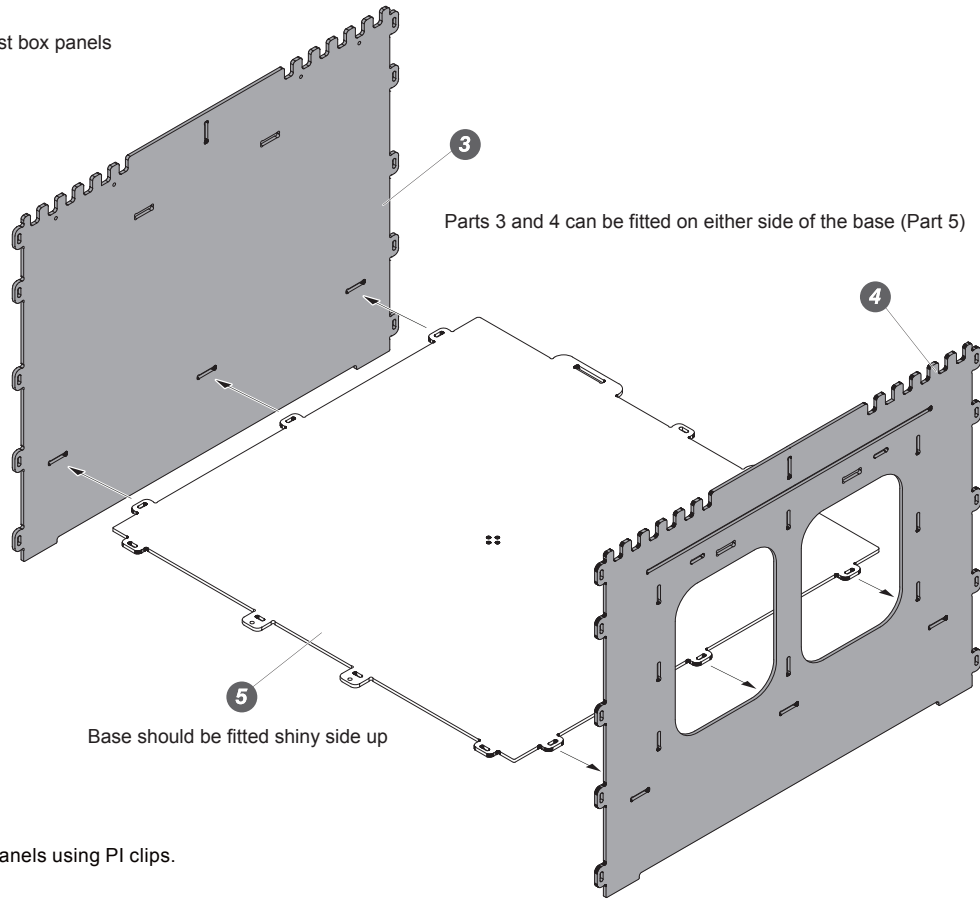
We would, however, suggest that your coop (whether wood or plastic) is in the shade if temperatures are above 85 degrees Fahrenheit (30 Celsius).

# ASSEMBLY

## TOOLS REQUIRED

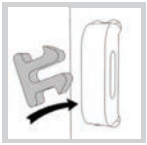


### 1 Attaching the side and nest box panels



Parts 3 and 4 can be fitted on either side of the base (Part 5)

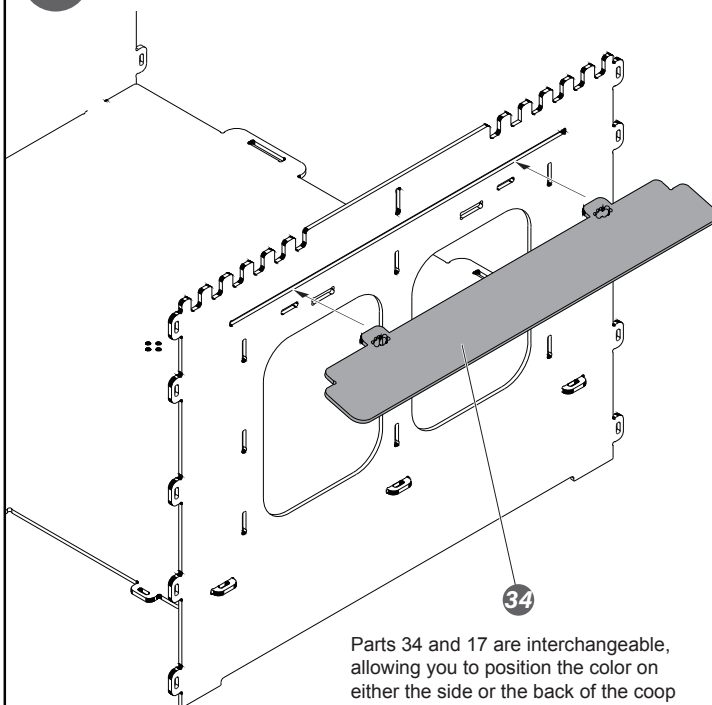
Base should be fitted shiny side up



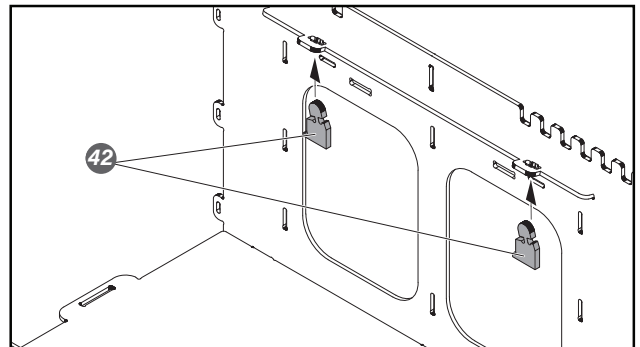
#### **F2** PI Clip x 6

Secure the side and nest box panels using PI clips.

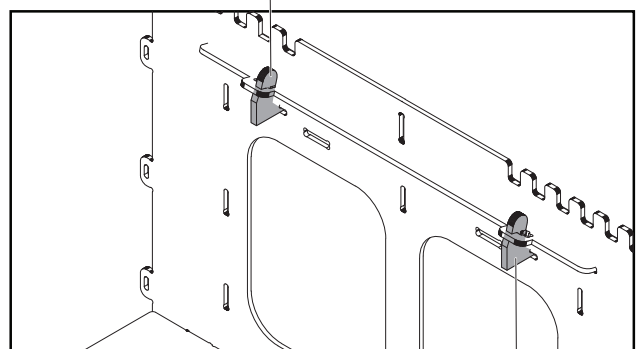
### 2 Attaching the nest box rain guard and twist locks



Parts 34 and 17 are interchangeable, allowing you to position the color on either the side or the back of the coop



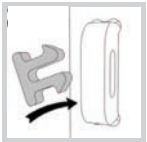
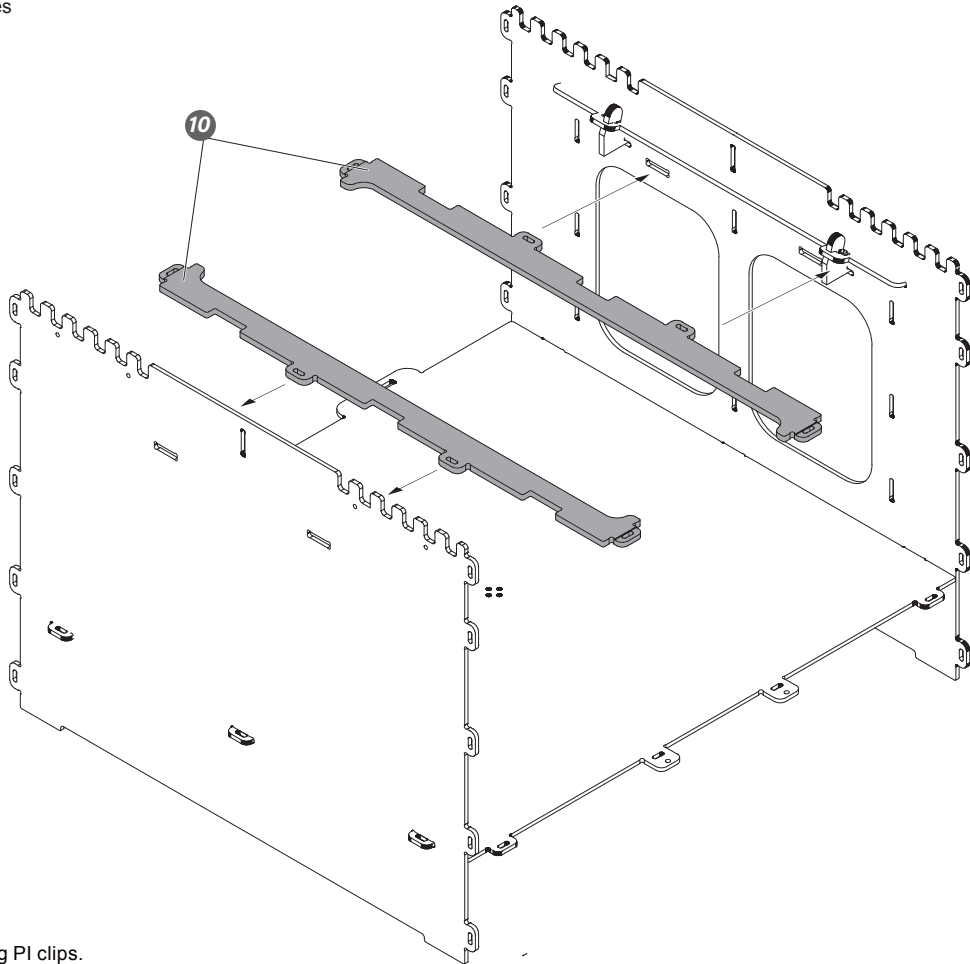
Rotate both twist locks in vertical position



Insert the end of the twist lock into the nest box wall slot

3

Attaching the wall braces

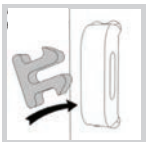
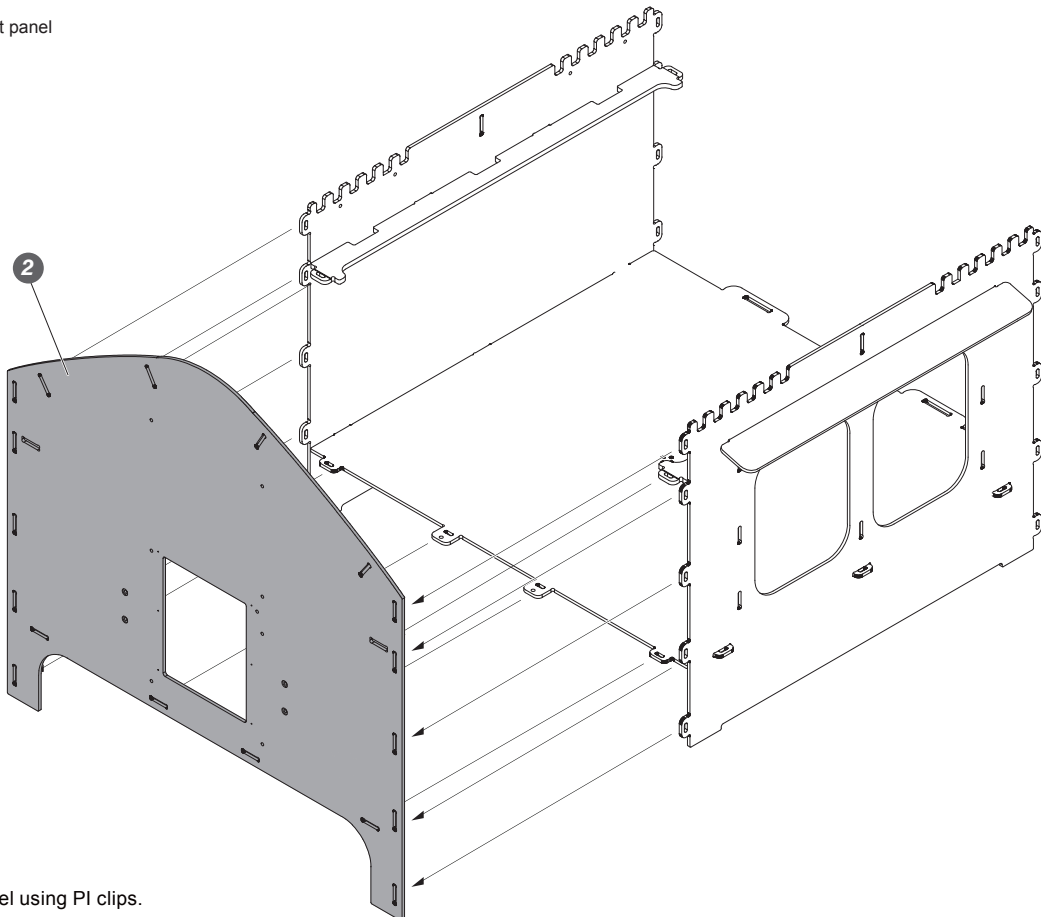


**F2 PI Clip x 4**

Secure the wall braces using PI clips.

4

Attaching the front panel

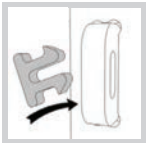
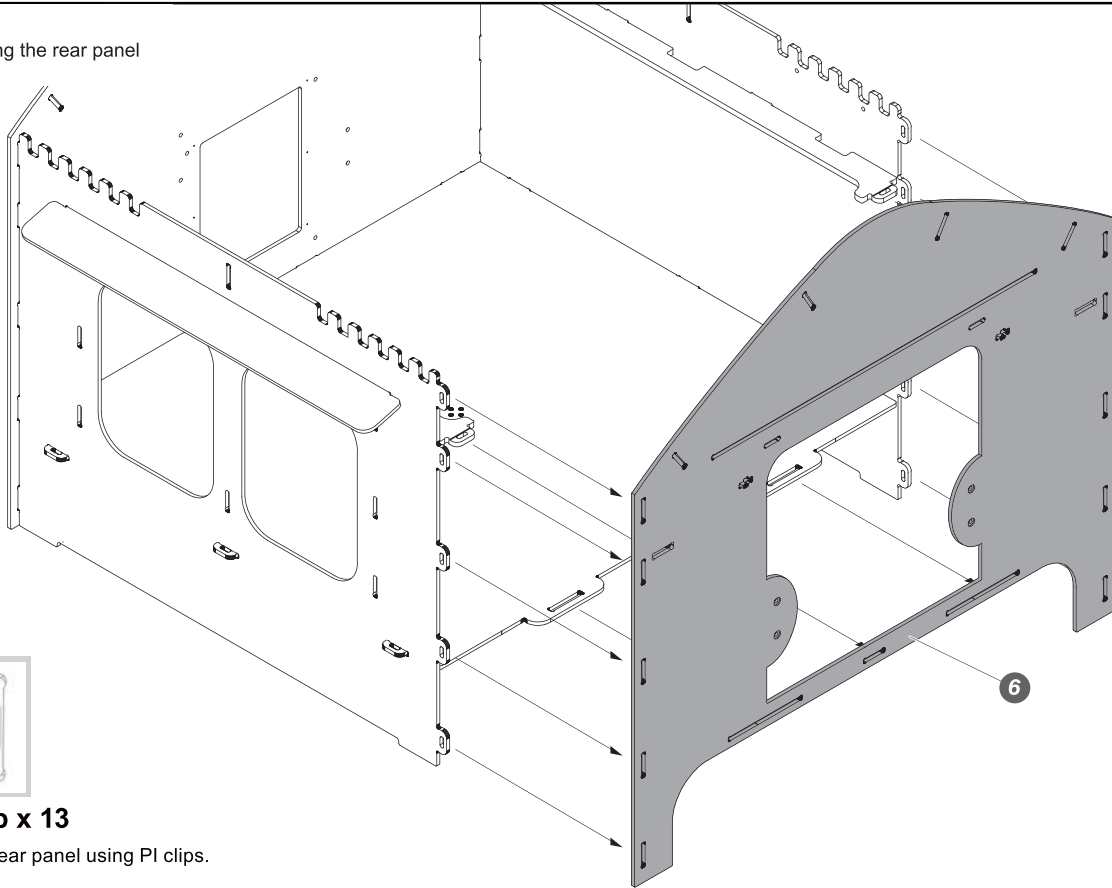


**F2 PI Clip x 16**

Secure the front panel using PI clips.

5

Attaching the rear panel

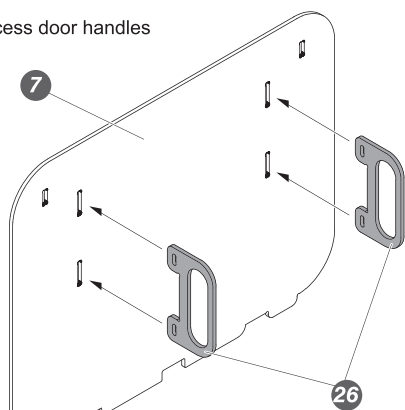


**F2 PI Clip x 13**

Secure the rear panel using PI clips.

6

Attaching the access door handles

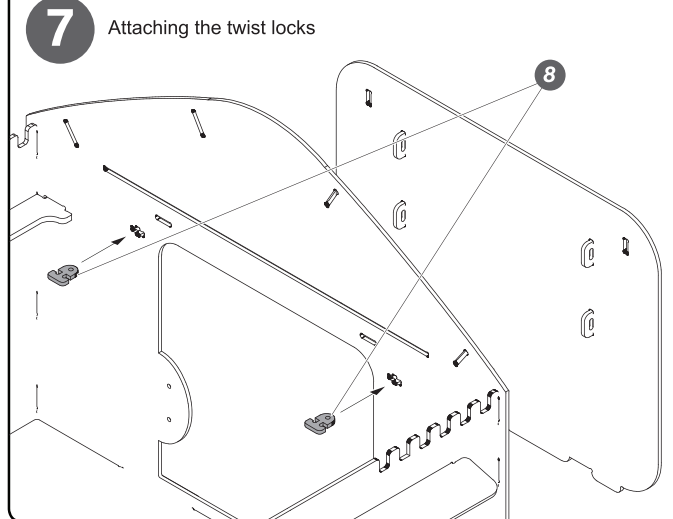


**F2 PI Clip x 4**

Secure the access door handles using PI clips.

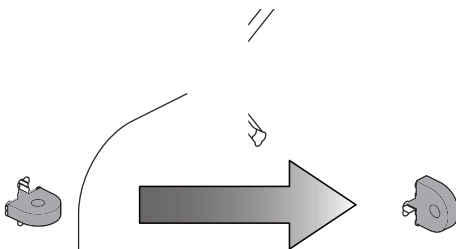
7

Attaching the twist locks



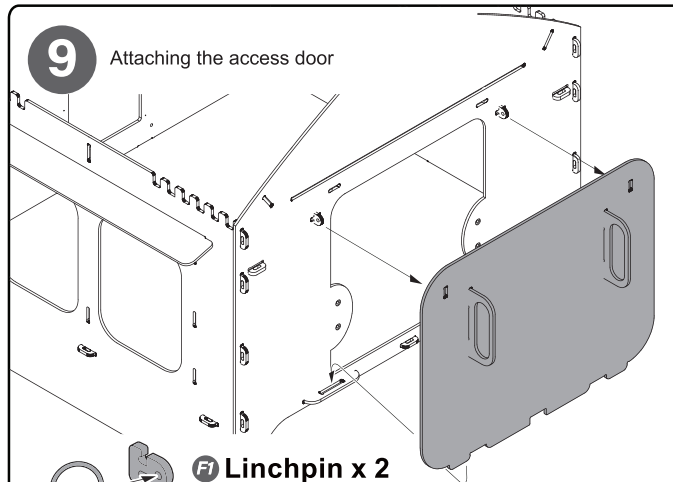
8

Rotate both twist locks to a 90 degree position



9

Attaching the access door

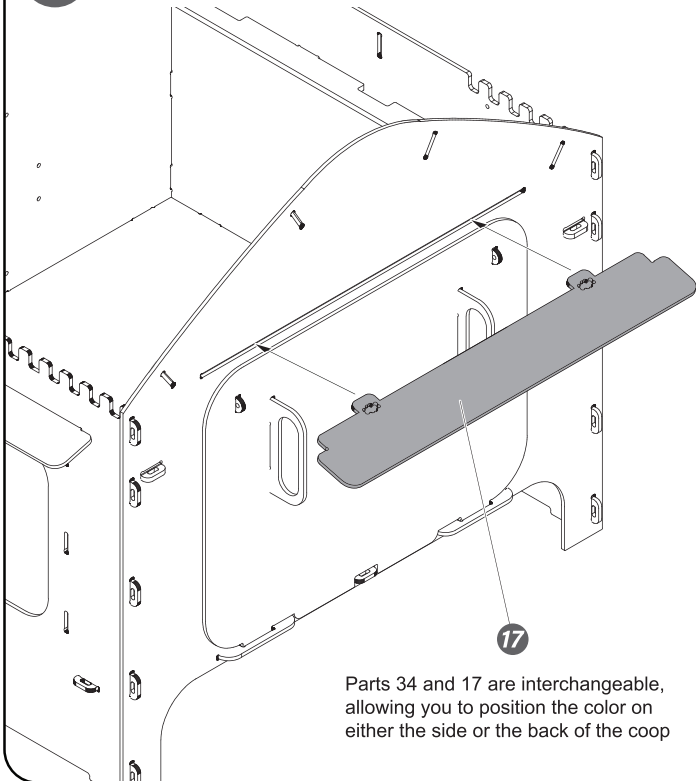


**F1 Linchpin x 2**

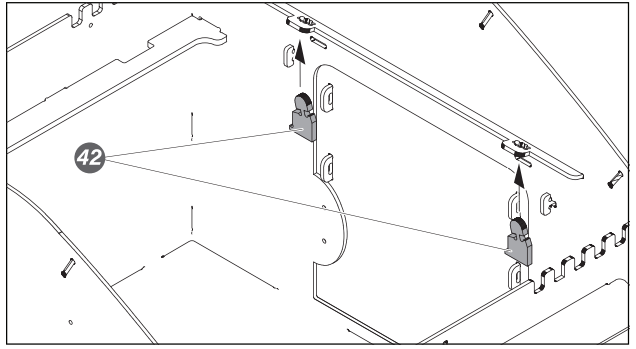
Secure the access door using linchpins.

10

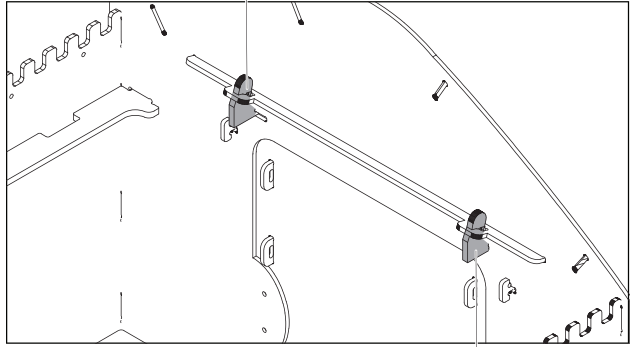
Attaching the back wall rain guard and twist lock



Parts 34 and 17 are interchangeable, allowing you to position the color on either the side or the back of the coop



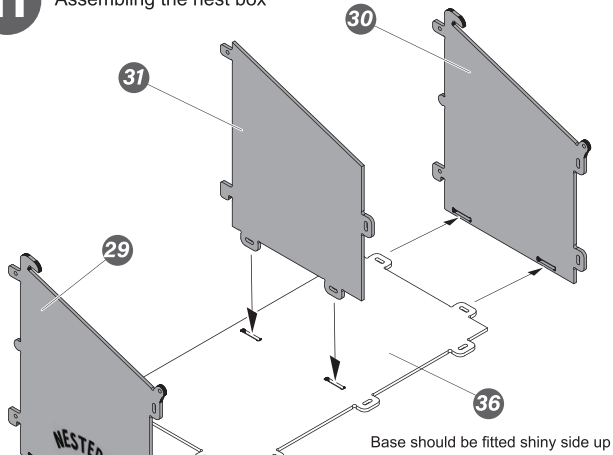
Rotate both twist locks in vertical position



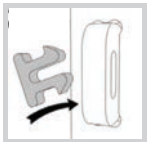
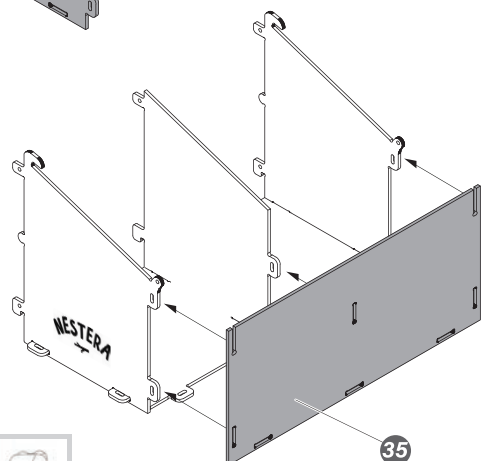
Insert the end of the twist lock into the nest box wall slot

11

Assembling the nest box



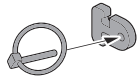
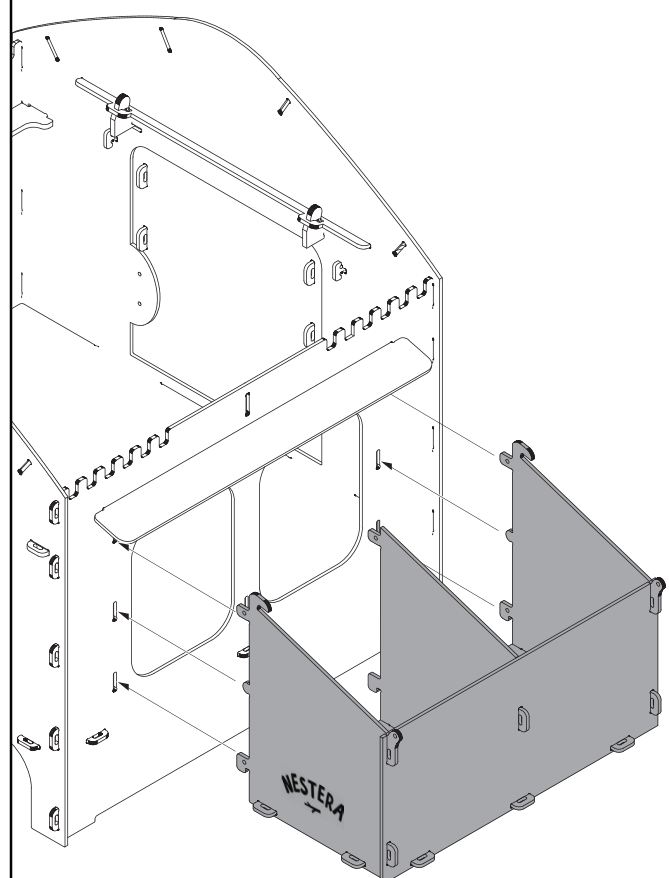
Base should be fitted shiny side up



**F2** PI Clip x 14  
Secure the nest box parts using PI clips.

12

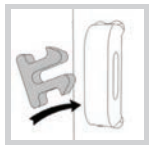
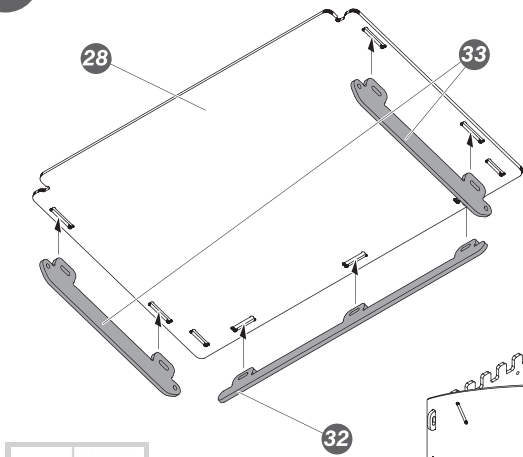
Attaching the nest box



**F1** Lynchpin x 5  
Secure the nest box using lynchpins.

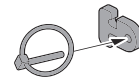
13

Assembling and attaching the nest box roof



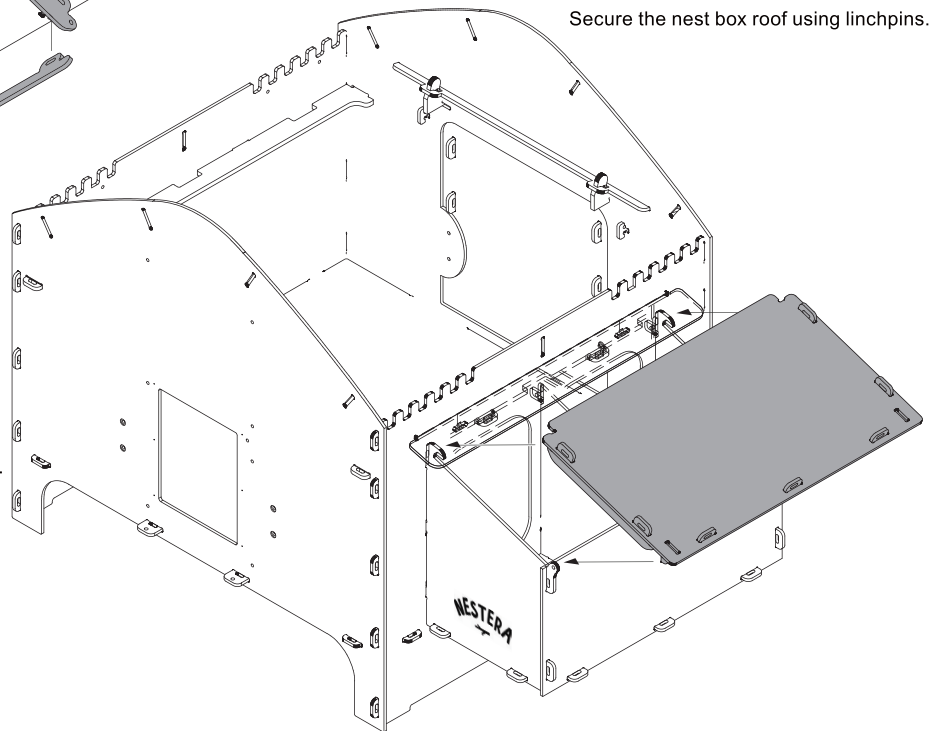
F2 PI Clip x 7

Secure the nest box roof braces using PI clips.



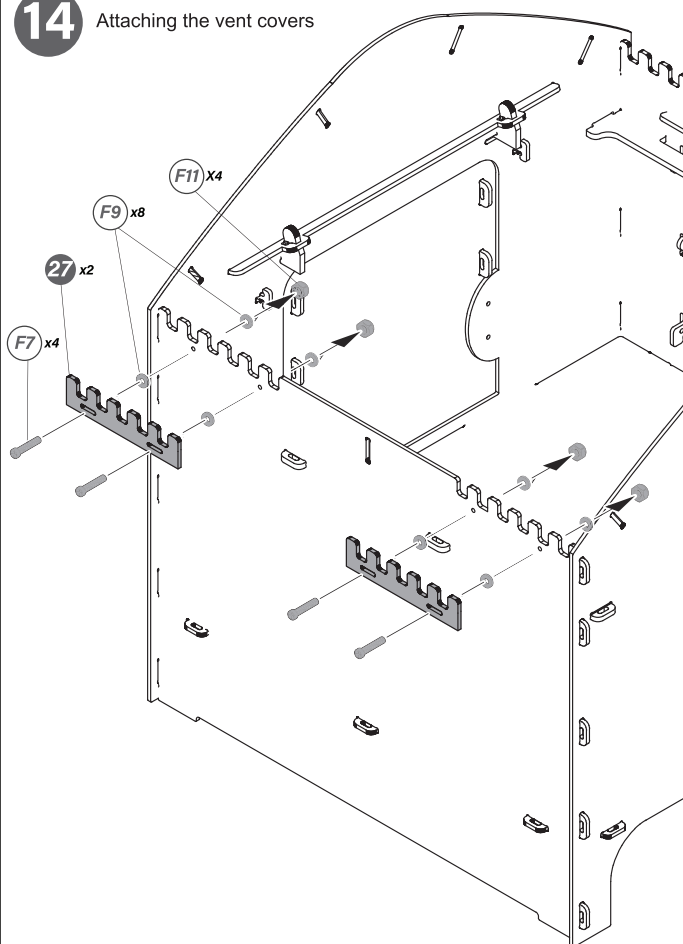
F1 Linchpin x 2

Secure the nest box roof using linchpins.



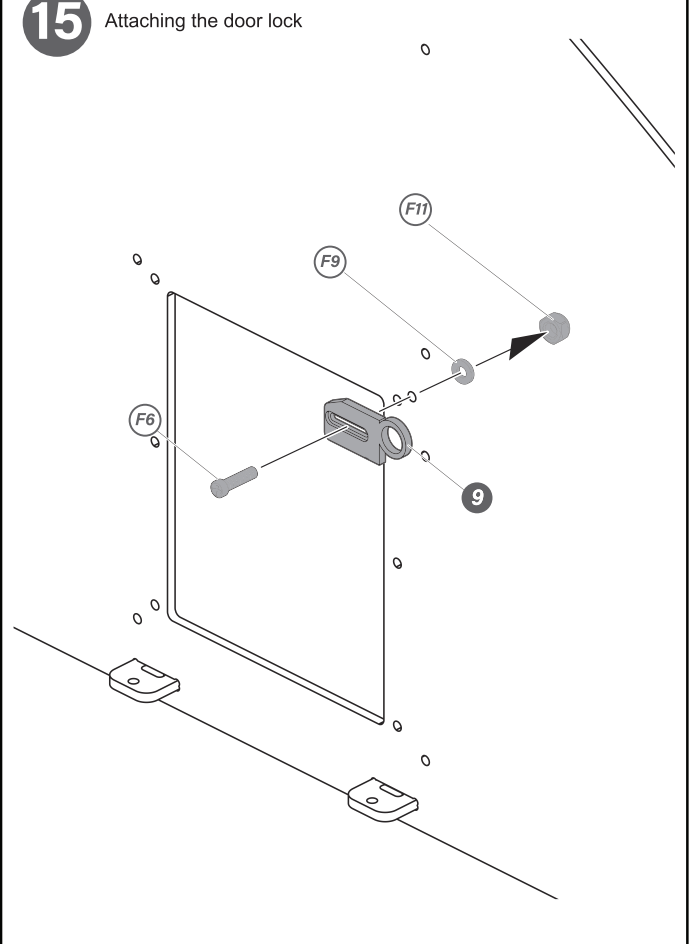
14

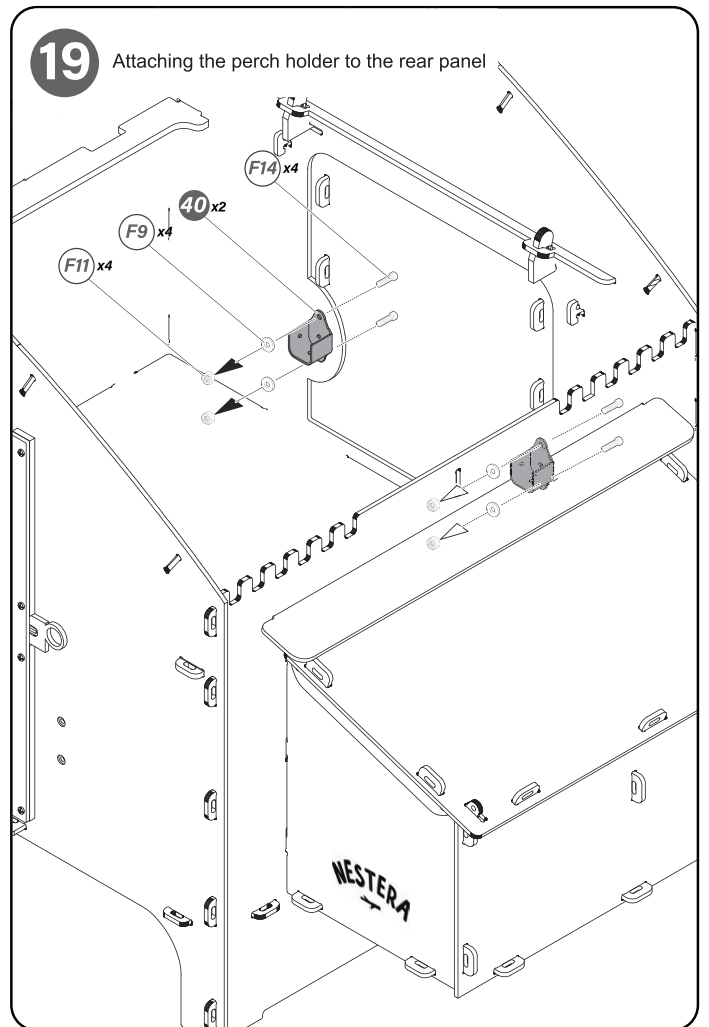
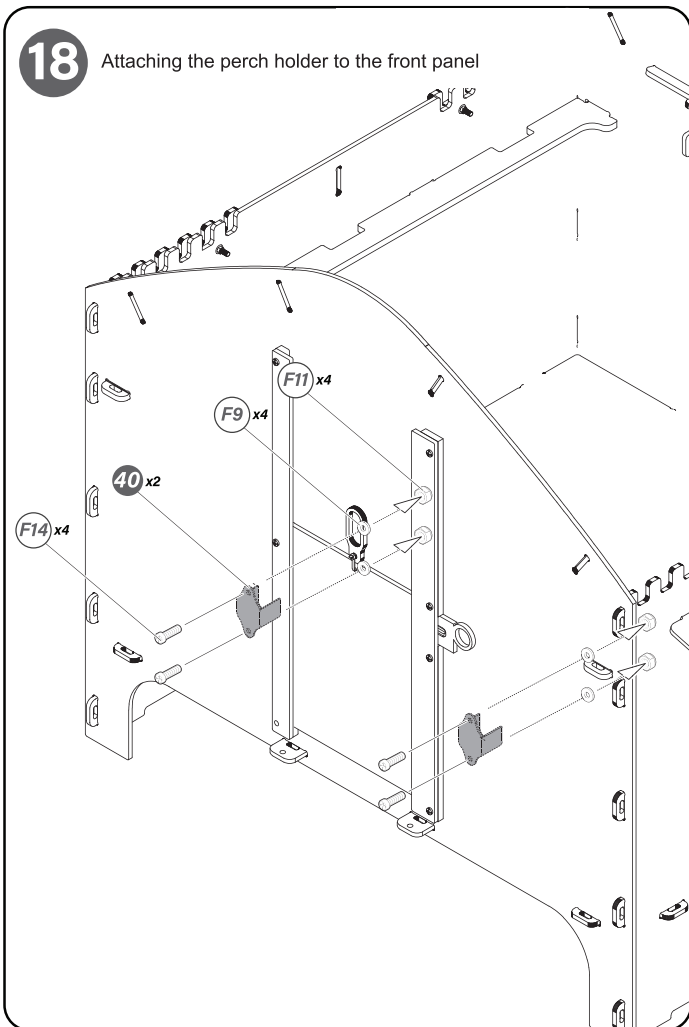
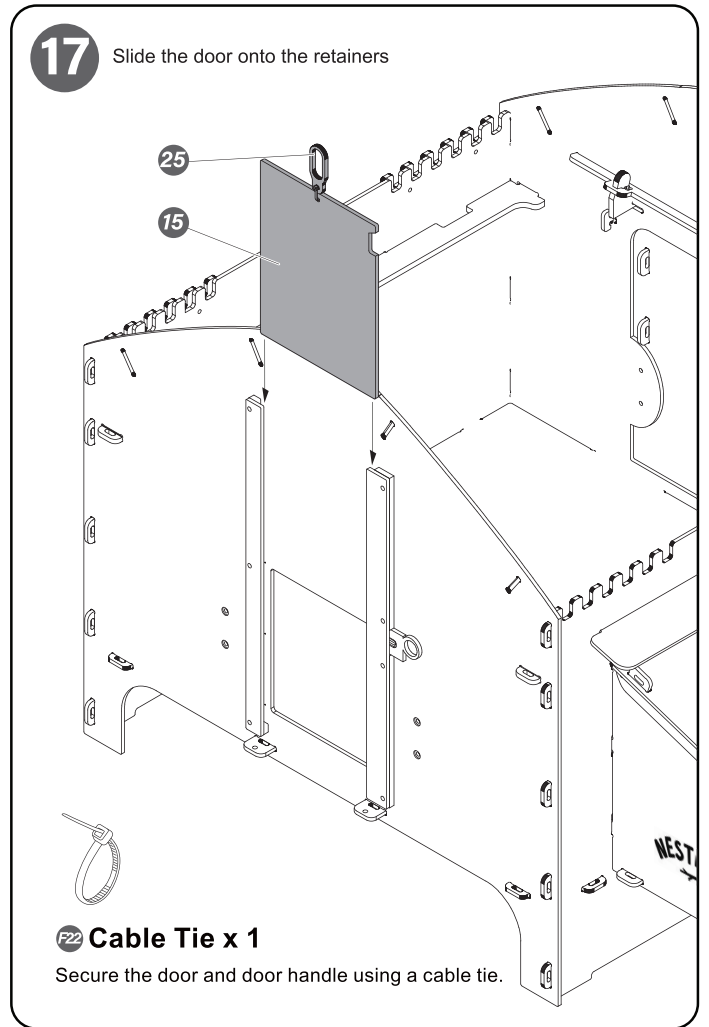
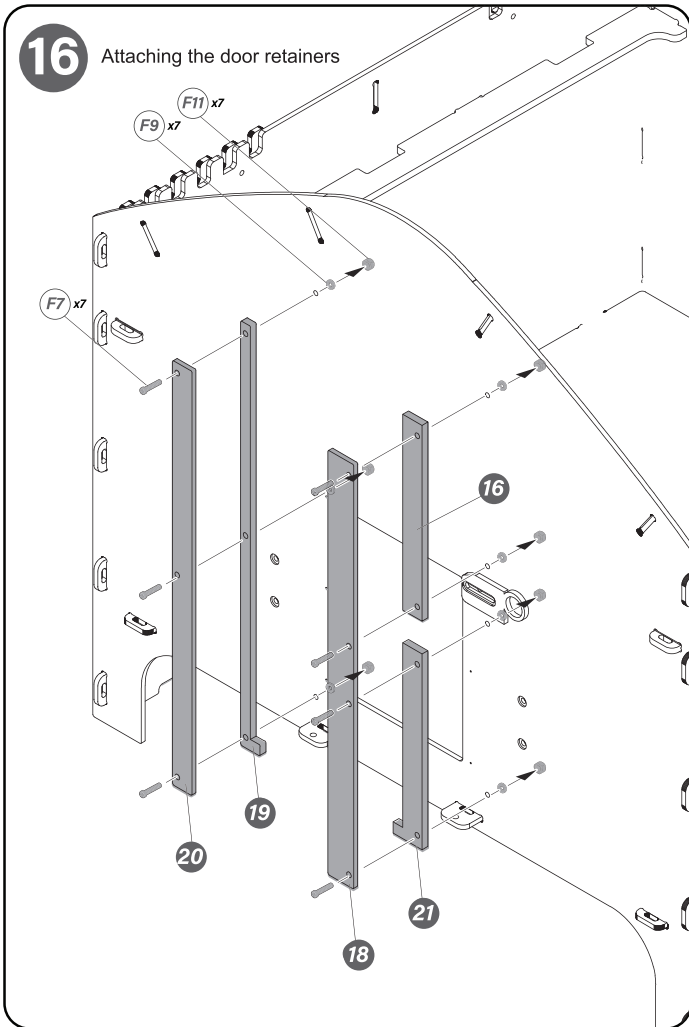
Attaching the vent covers



15

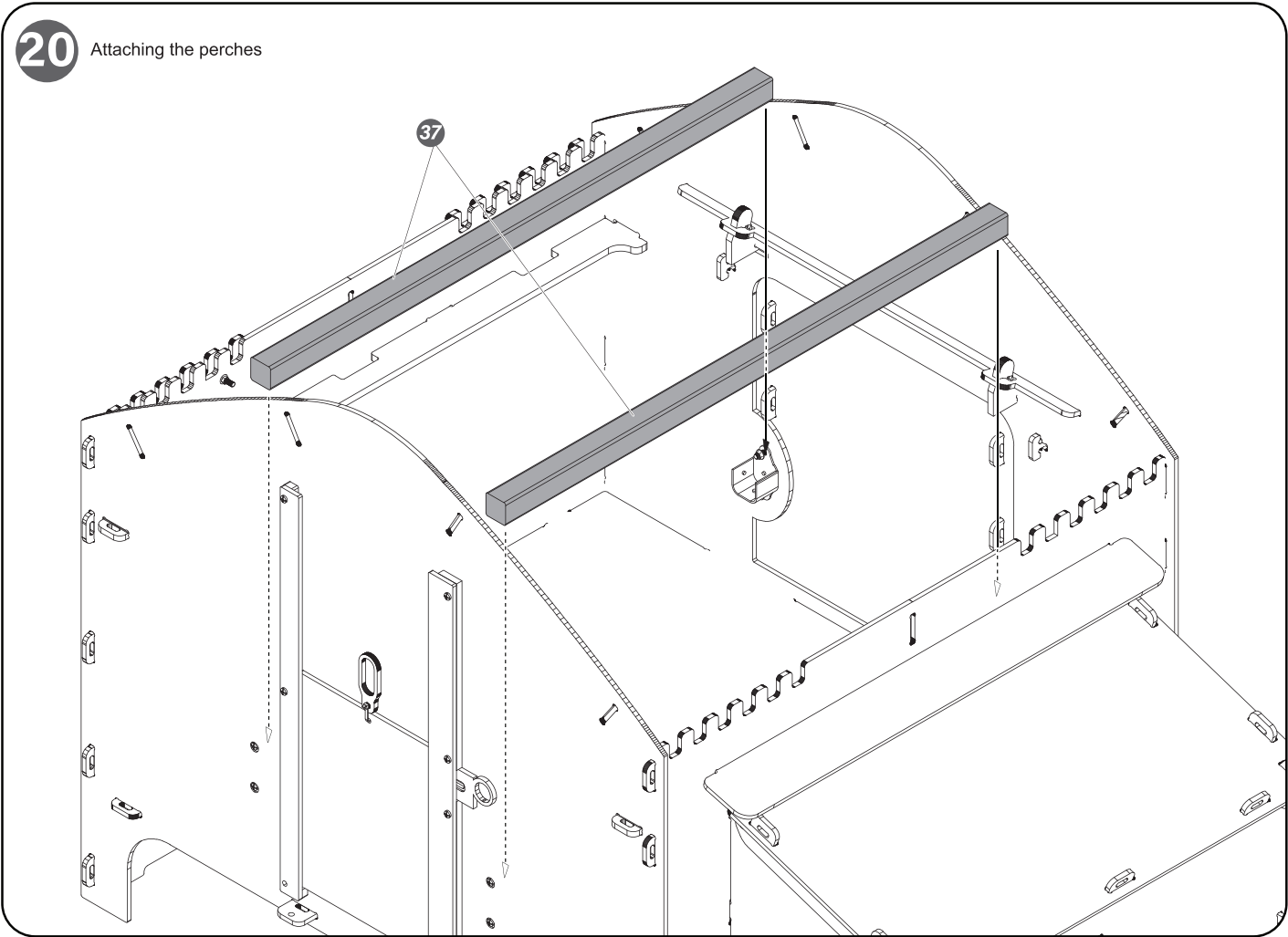
Attaching the door lock





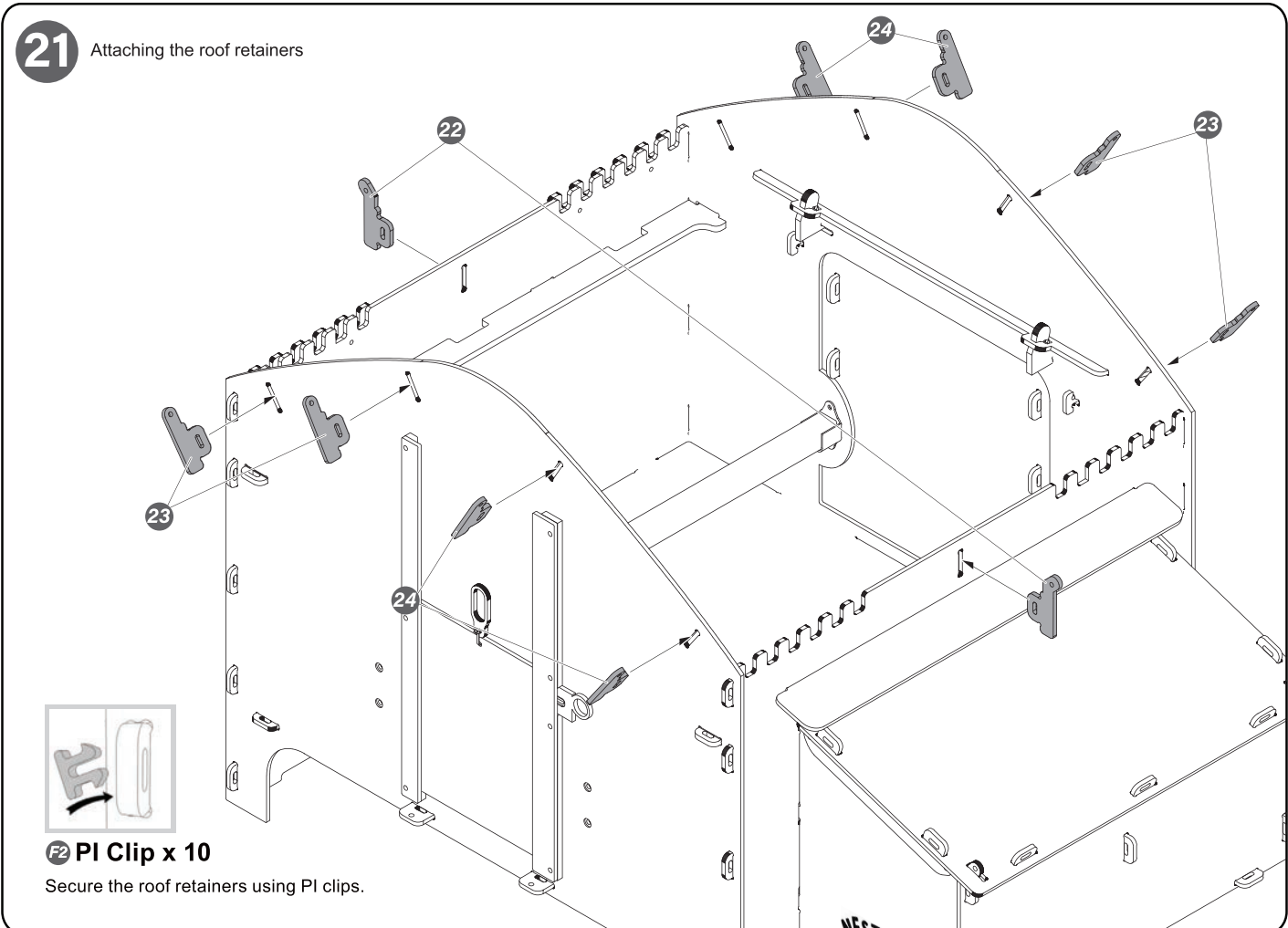
20

Attaching the perches

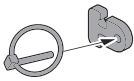
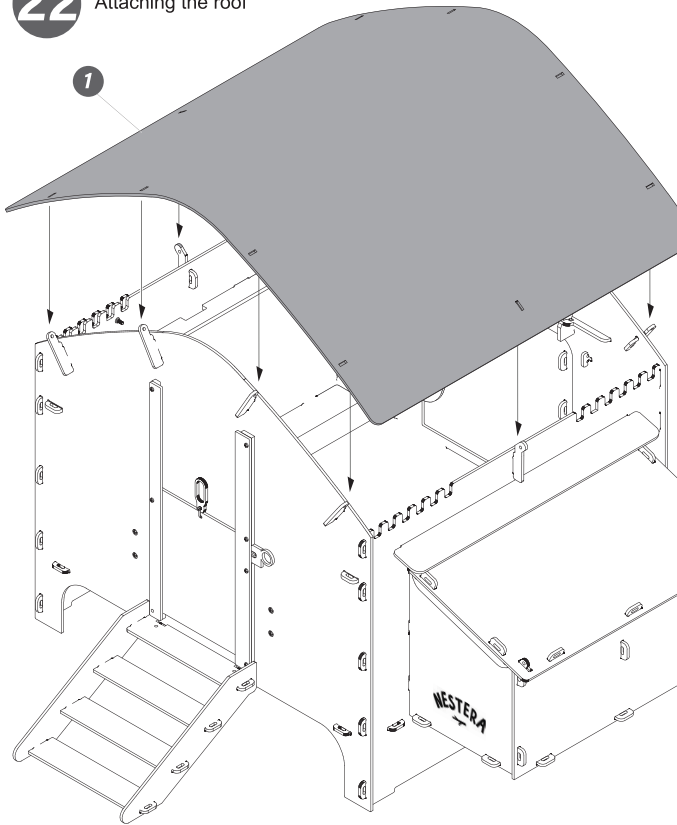


21

Attaching the roof retainers



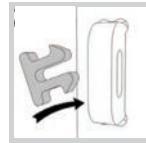
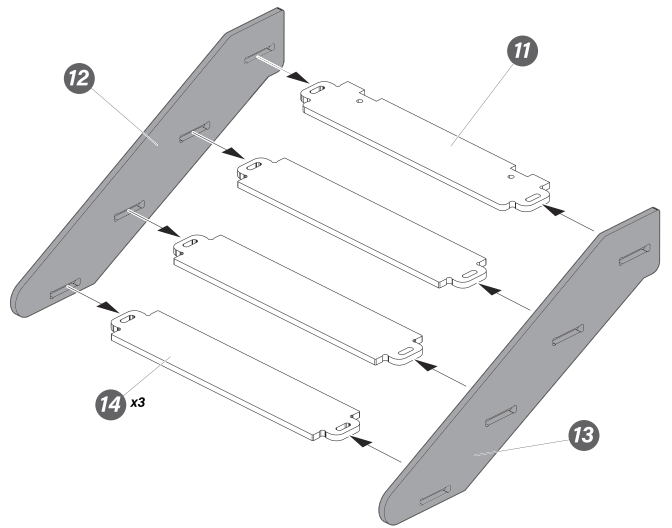
## 22 Attaching the roof



**F1 Linchpin x 10**

Secure the roof using linchpins.

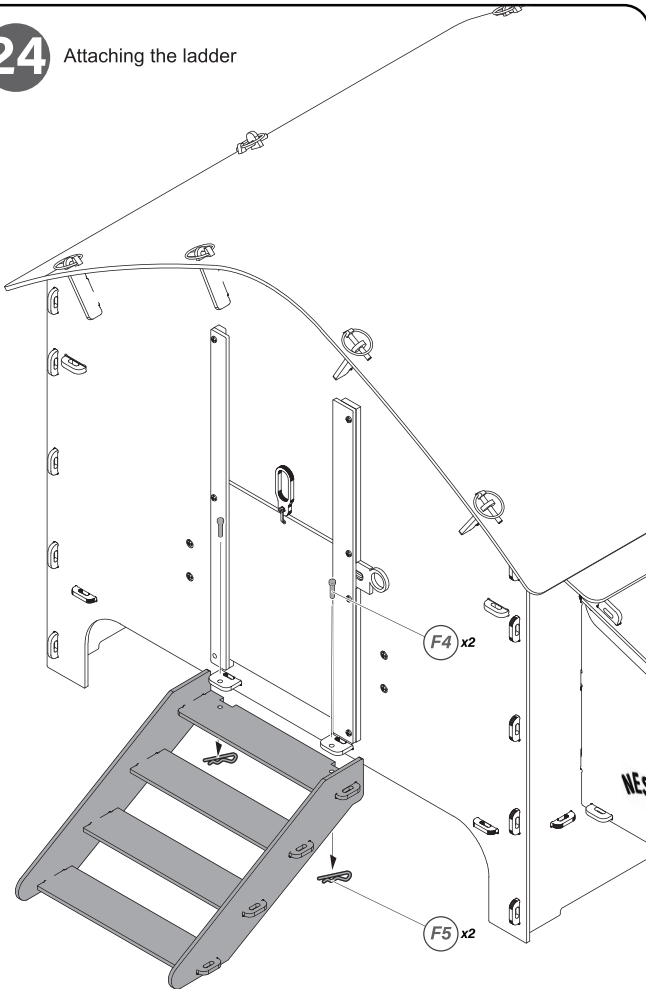
## 23 Assembling the ladder



**F2 PI Clip x 8**

Secure the ladder parts using PI clips.

## 24 Attaching the ladder





**ATLAS**  
**Large Model**  
PRL04-8

